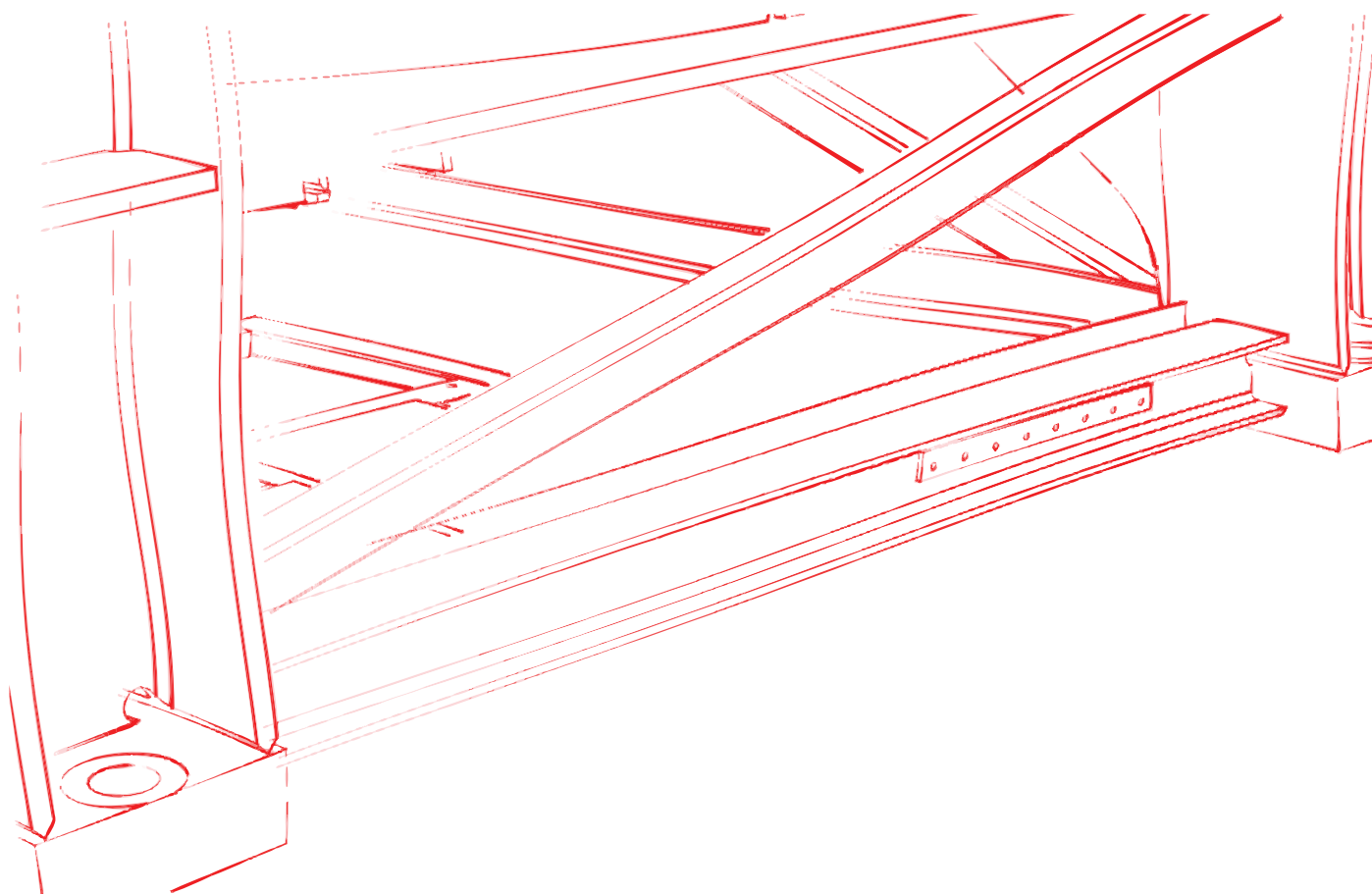


WOLFFKRAN

System components

WOLFF Undercarriage

Technical informations



English

English

WOLFF Undercarriage



Published by

WOLFFKRAN GmbH

Austraße 72

74076 Heilbronn

Germany

Phone +49 7131 9815 0

Fax +49 7131 9815 355

www.wolffkran.com

info@wolffkran.de

Copyright

This documentation including all of its subsections is protected by copyright laws.

Any type of use or modification outside of the stringent limits of the copyright laws without permission of WOLFFKRAN GmbH is prohibited and subject to penalties.

This applies particularly for copying, translation, microfilming and storage and processing in electronic systems.

At the time of printing, the information, data, illustrations and notes comprised in this manual were up-to-date.

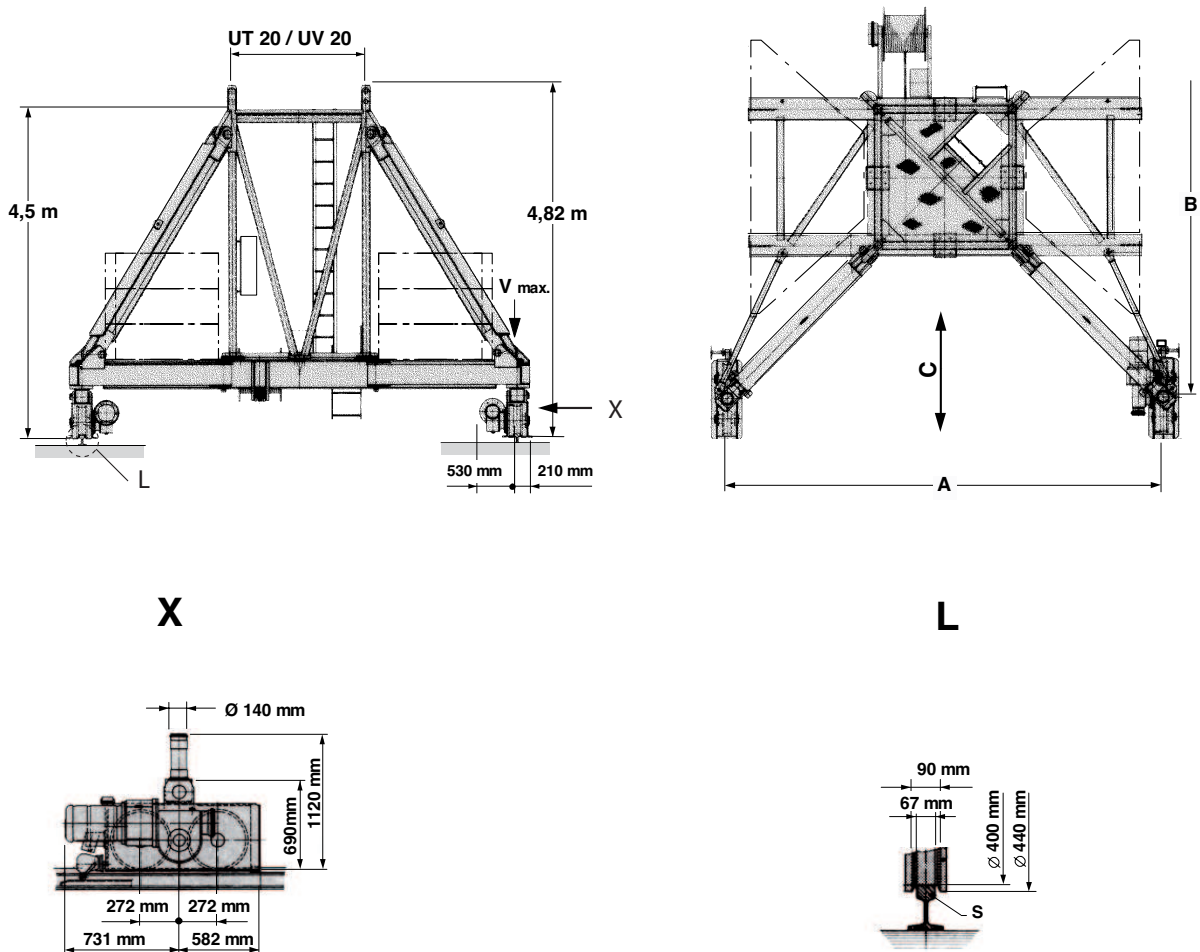
Subject to change of design, error and typos.

Stand: 06/2013

Table of contents

1	Technical Data UW 260.1	5
2	Technical Data UW 260.2	7
3	Technical Data UW 260.3	9
4	Technical Data UW 480	11
5	Technical Data UW 4120	13

1 Technical Data UW 260.1



Undercarriage UW 260.1

X	View X	L	Detail L
C	Direction of travel	S	Rail

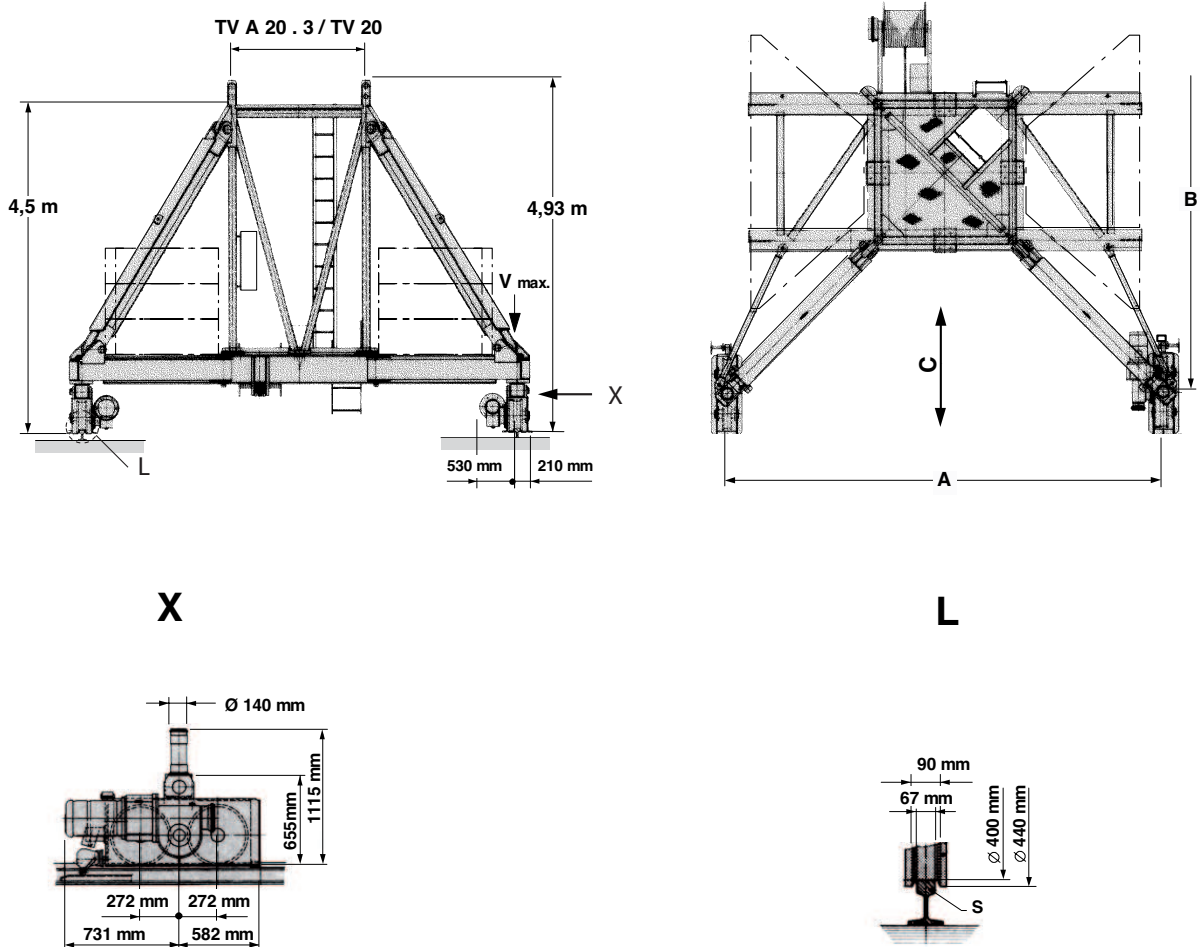
Rail gauge A min.	5.00 m
Rail gauge A max.	6.00 m
Wheelbase B min.	6.00 m
Wheelbase B max.	6.79 m
Min. curve radius with a rail gauge of 6 m	15.0 m
Rail material	S 49 DIN 5902
Crane traversing speed	25 m/min
Accumulated motor power	2 x 5.5 kW
Total weight of undercarriage (without ballast)	11400 kg

The undercarriage represents an independent module for applications with a WOLFF slewing tower crane system.

1 Technical Data UW 260.1

For information pertaining to application options, refer to the manual of the corresponding WOLFF slewing tower crane (tower combination, central ballast block / corner load tables).

2 Technical Data UW 260.2



Undercarriage UW 260.2

X	View X	L	Detail L
C	Direction of travel	S	Rail

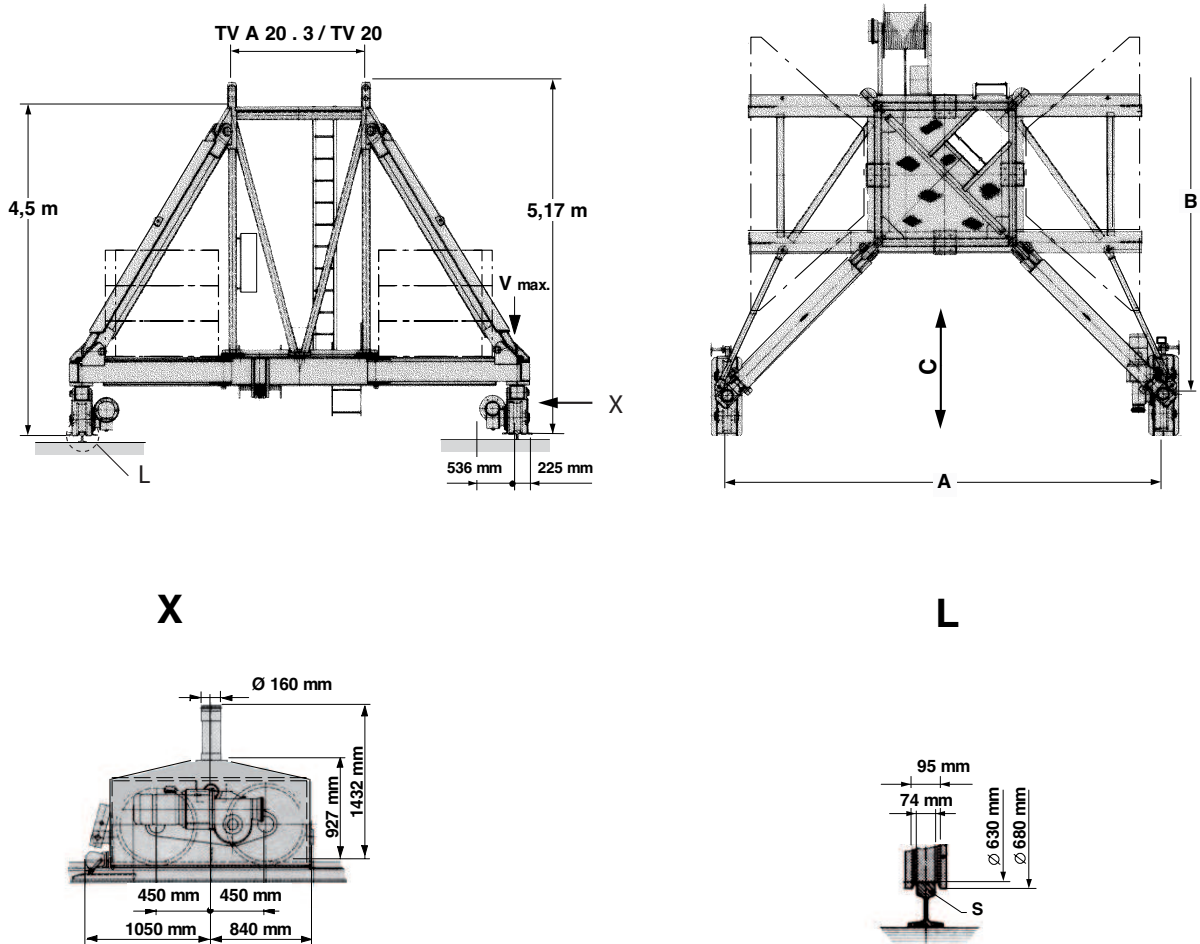
Rail gauge A min.	5.00 m
Rail gauge A max.	6.00 m
Wheelbase B min.	6.00 m
Wheelbase B max.	6.79 m
Min. curve radius with a rail gauge of 6 m	15.0 m
Rail material	S 49 DIN 5902
Crane traversing speed	25 m/min
Accumulated motor power	2 x 5.5 kW
Total weight of undercarriage (without ballast)	13930 kg

The undercarriage represents an independent module for applications with a WOLFF slewing tower crane system.

2 Technical Data UW 260.2

For information pertaining to application options, refer to the manual of the corresponding WOLFF slewing tower crane (tower combination, central ballast block / corner load tables).

3 Technical Data UW 260.3



Undercarriage UW 260.3

X	View X	L	Detail L
C	Direction of travel	S	Rail

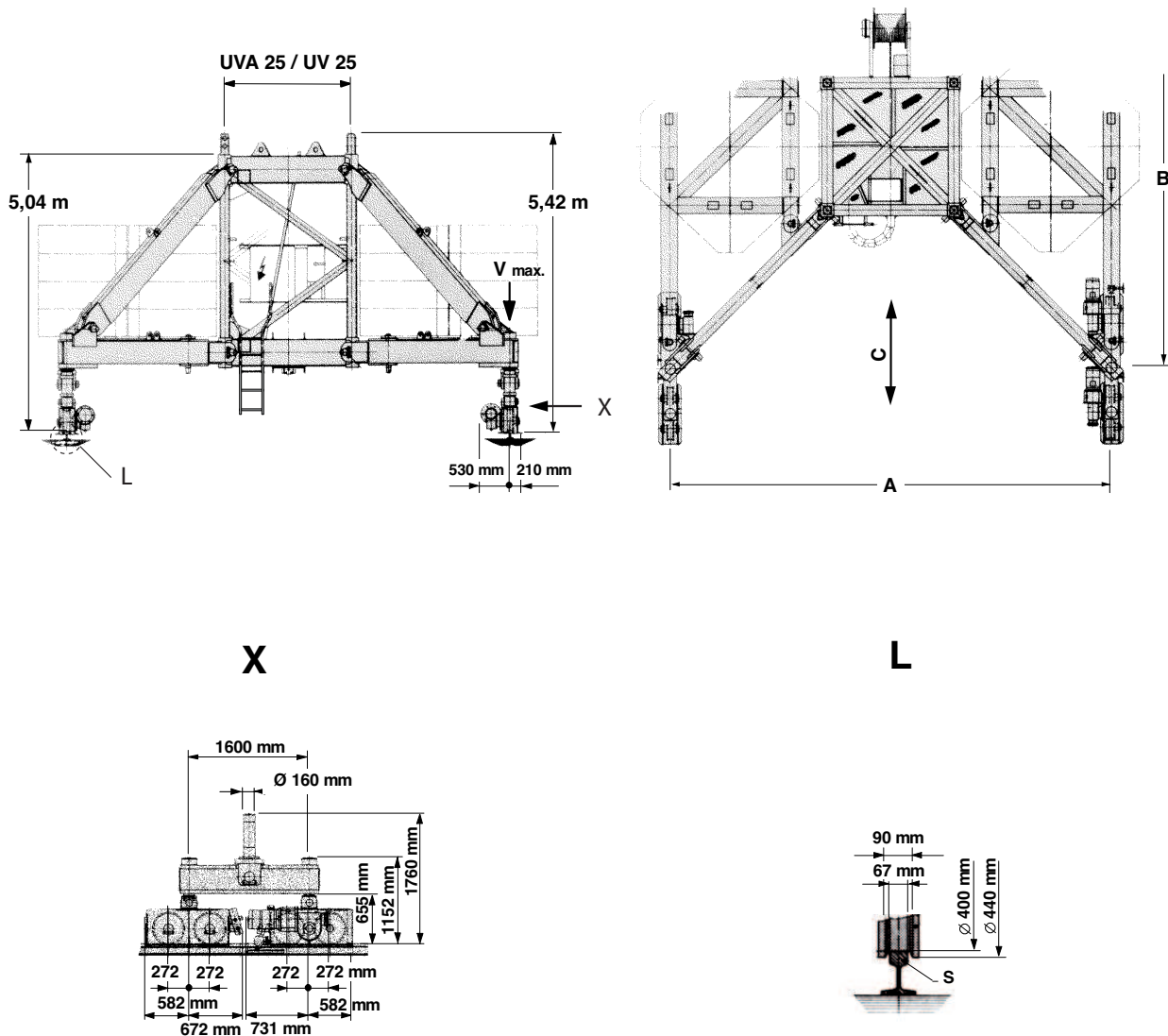
Rail gauge A min.	5.00 m
Rail gauge A max.	6.00 m
Wheelbase B min.	6.00 m
Wheelbase B max.	6.79 m
Min. curve radius with a rail gauge of 6 m	15.0 m
Rail material	S 64 DIN 5902
Crane traversing speed	30 m/min
Accumulated motor power	4 x 5.5 kW
Total weight of undercarriage (without ballast)	17200 kg

The undercarriage represents an independent module for applications with a WOLFF slewing tower crane system.

3 Technical Data UW 260.3

For information pertaining to application options, refer to the manual of the corresponding WOLFF slewing tower crane (tower combination, central ballast block / corner load tables).

4 Technical Data UW 480



Undercarriage UW 480

X	View X	L	Detail L
C	Direction of travel	S	Rail

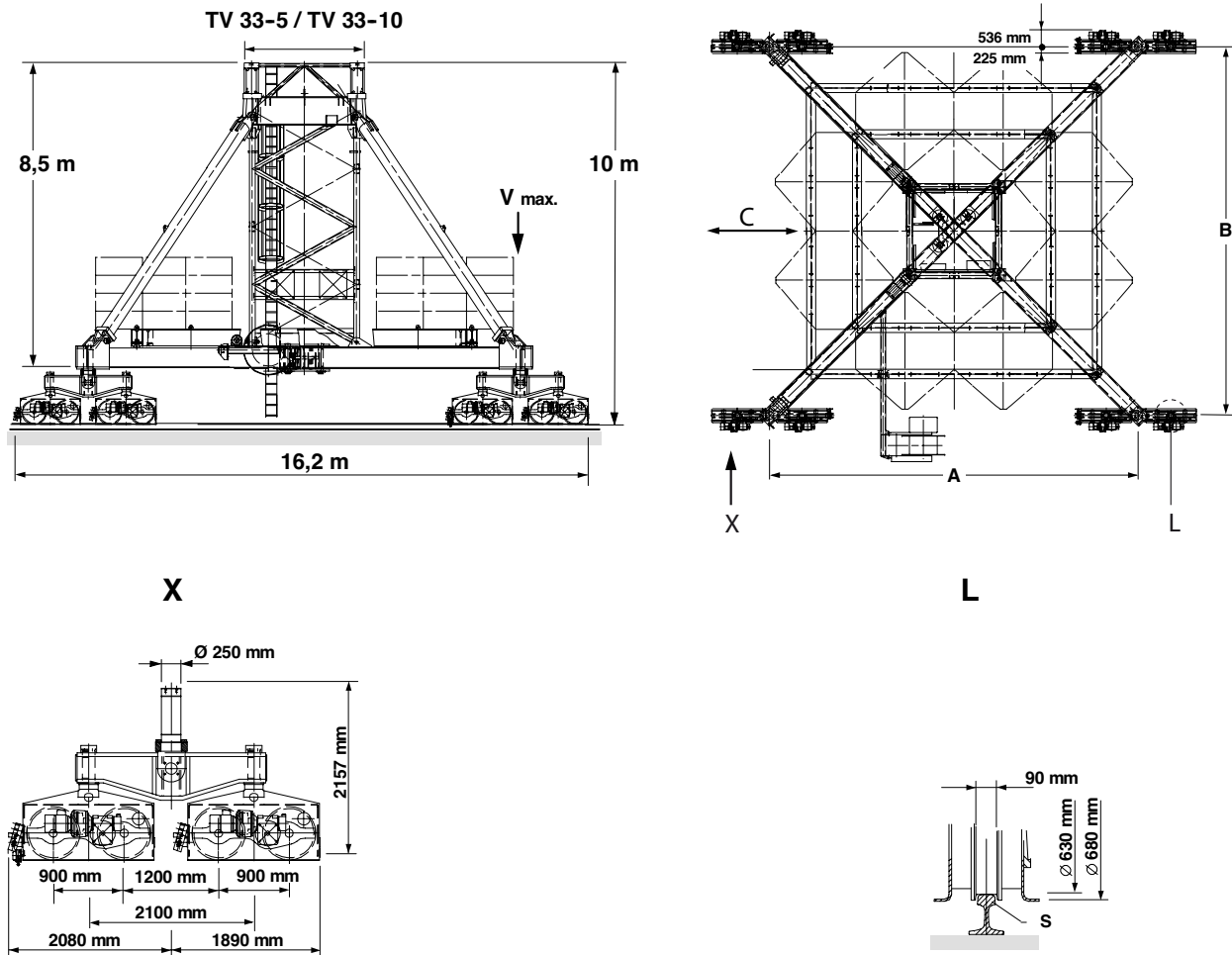
Rail gauge A	8.00 m
Wheelbase B	8.00 m
Rail material	S 49 DIN 5902
Crane traversing speed	25 m/min
Accumulated motor power	6 x 5.5 kW
Total weight of undercarriage (without ballast)	34000 kg

The undercarriage represents an independent module for applications with a WOLFF slewing tower crane system.

4 Technical Data UW 480

For information pertaining to application options, refer to the manual of the corresponding WOLFF slewing tower crane (tower combination, central ballast block / corner load tables).

5 Technical Data UW 4120



Undercarriage UW 4120

X	View X	L	Detail L
C	Direction of travel	S	Rail

Rail gauge A	12.00 m
Wheelbase B	12.00 m
Rail material	S 64 DIN 5902
Crane traversing speed	30 m/min
Accumulated motor power	8 x 5.5 kW
max. permitted corner load	2500 kN
Total weight of undercarriage (without ballast)	74900 kg

The undercarriage represents an independent module for applications with a WOLFF slewing tower crane system.

For information pertaining to application options, refer to the manual of the corresponding WOLFF slewing tower crane (tower combination, central ballast block / corner load tables).

WOLFFKRAN Group

Headquarter international:

WOLFFKRAN AG

Baarermattstraße 6

CH-6300 Zug

Switzerland

Phone +41 41 766 85 00

Fax +41 41 766 85 99

info@wolffkran.com

Manufacturing:

WOLFFKRAN GmbH

Austraße 72

D-74076 Heilbronn

Germany

Phone + 49 7131 9815 0

Fax + 49 7131 9815 355

info@wolffkran.de

WOLFFKRAN Werk Brandenburg GmbH

Frederik-Ipsen-Straße 5

D-15926 Luckau OT Alverno

Germany

Phone + 49 35456 674 0

Fax + 49 35456 674 200

info@wolffkran.de